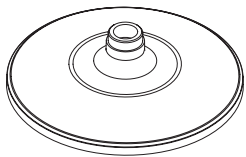


Hanging Mount Adaptor

SBP-317HM/SBP-317HMW



Package



HANGING MOUNT ADAPTOR



SCREW 4EA

Product Overview

ENG SBP-317HM/SBP-317HMW is an adaptor used to install an PNM-9080VQ/ PNM-9084RQZ, PNM-9085RQZ camera in a Wall Mount Adaptor (SBP-300WM/ SBP-300WMW), Ceiling Mount Adaptor (SBP-300CM/ SBP-300CMW), or Parapet Mount Adaptor(SBP-300LM).

KOR SBP-317HM/SBP-317HMW는 PNM-9080VQ/PNM-9084RQZ, PNM-9085RQZ 카메라를 Wall Mount Adaptor (SBP-300WM/SBP-300WMW), Ceiling Mount Adaptor (SBP-300CM/SBP-300CMW), Parapet Mount Adaptor (SBP-300LM) 에 설치 시 사용하는 Adaptor 입니다.

Installation Precautions

ENG

- Make sure that the installation place can endure at least 4 times of the total weight of the Hanging Mount Adaptor, Camera, and Wall/Ceiling/Parapet Mount Adaptor.
- The Hanging Mount Adaptor can be also connected to 1 1/2" PF screw-thread pipe as well as to the Wall/Ceiling/Parapet Mount Adaptor.

KOR

- 설치장소가 Hanging Mount Adaptor, Camera, Wall/Ceiling/Parapet Mount Adaptor의 총중량의 4배이상을 충분히 견딜 수 있는 곳에 설치하세요.
- Hanging Mount Adaptor는 Wall/Ceiling/Parapet Mount Adaptor 외에도 1 1/2" PF 나사산이 가공된 "파이프(Pipe)"에 연결하여 사용 가능합니다.

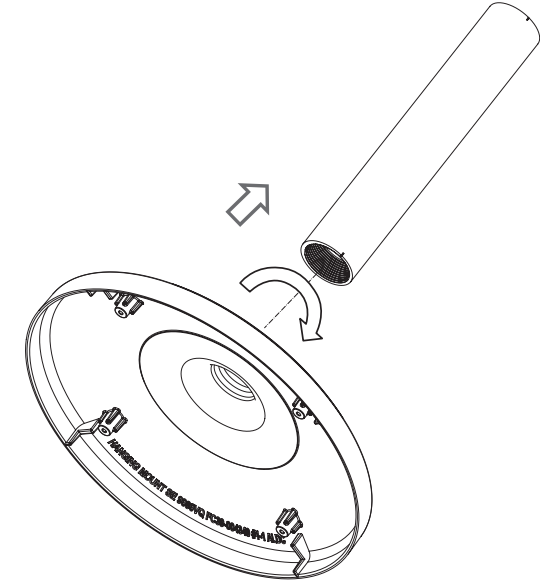
❖ Applicable model

	SBP-317HM	SBP-317HMW
Color	Ivory	White
Applicable model	PNM-9080VQ	PNM-9084RQZ, PNM-9085RQZ

Installation

1 Insert the Hanging Mount Adaptor to 1 1/2" PF screw-thread (female) pipe or to the Wall/Ceiling/Parapet Mount Adaptor (SBP-300WM/SBP-300WMW or SBP-300CM/300CMW/300LM) and turn it clockwise to secure to the Pipe or Adaptor.

! Make sure you fix the Pipe or Adaptor so that it reaches to the end of the 1 1/2" PF screw thread on the Hanging Mount Adaptor. If not secured tightly, the Hanging Mount Adaptor may loosen from the Pipe or Adaptor, causing physical damage or malfunction. (Make sure you check the connection between two components before proceeding with the next step.)



- 2 Install the Hanging Mount Adaptor onto the camera.
 - Make sure you insert the Adaptor in the right direction.

Product Specifications

Weight	980g
Material	Aluminum
Operating Temperature	-50°C~60°C
Operating Humidity	0~100%

Product Outline

