



Network

Bullet

## TNO-A26081

Ultra-resolution 26MP T AI camera



### Key Features

- High resolution 26MP(max. resolution 6240x4160)
- Max. 30fps @ all resolutions (H.265, H.264, MJPEG)
- Diagonal 28.3mm 1.8" CMOS
- 55~250mm(4.54x) manual varifocal lens
- AI enabled features(Object detection, Virtual line(Crossing/Direction), Virtual area(Loitering/Intrusion/Enter/Exit), Motion detection, Bestshot per object
- Hallway View, WiseStreamIII (Based on AI engine)
- PoE++(IEEE802.3bt type3, Class6), 12VDC
- IP66/IP67, IK10, NEMA4X
- Secure element with FIPS 140-3 level 3

## TNO-A26081

Ultra-resolution 26MP T AI camera



### Specifications

#### Video

Imaging Device	Size	Diagonal 28.3mm 1.8"
	Type	CMOS
Resolution	6240x4160, 3840x2160, 1920x1080, 1600x1200, 1440x960, 1280x720, 1024x768, 720x480, 640x480, 2880x1920, 1280x800	
Max. Framerate	H.265/H.264	30fps
	MJPEG	30fps
	Others	Max. 20fps when WiseAI on
Min. Illumination (Lux)	Color(1/30sec, 30IRE)	0.2Lux(F4.0, 1/30sec)
	BW(1/30sec, 30IRE)	0.02Lux(F4.0, 1/30sec)
Video Out	USB: Micro USB Type C	

#### Lens

Focal Length (mm)	55-250	
Zoom Ratio	Optical	4.54
Max Aperture Ratio (F number)	Wide	4
	Tele	5.6
Angular Field of View	Horizontal	24°(Wide)~5.4°(Tele)
	Vertical	16°(Wide)~3.6°(Tele)
	Diagonal	29°(Wide)~6.5°(Tele)
Min. Object Distance	0.85m (2.8ft)	
Focus Control	Simple focus	
Lens Type	Canon EF-S 55~250mm F4-5.6 IS STM	
Mount Type	Canon EF-S	

#### Operational

Day & Night	Auto(ICR)	
Backlight Compensation	BLC, SSSDR	
Digital Noise Reduction	WiseNR II (Based on AI engine), SSNR V	
Motion Detection	Quantity	8ea
	Shape	8point Polygonal zones

## Operational

Privacy Masking	Quantity	6ea
	Shape	Rectangular zones
	Color / Option	Gray, Black, White
Gain Control		Low, Middle, High
White Balance		ATW, AWC, Manual, Indoor, Outdoor
Electronic Shutter	Mode	Minimum, Maximum, Anti flicker, Prefer shutter control(Based on AI engine)
	Speed Range	1/5~1/12,000sec
Video Rotation		Flip, Mirror, Hallway view(90°/270°)
Alarm Interface	In/Out	2 configurable I/O ports
Alarm Triggers		Analytics, Network disconnect, Alarm input, Time schedule, MQTT subscription, Case tampering
Alarm Events When Alarm Trigger Occurred		File upload(image): e-mail/FTP/SFTP, File upload(video clip): FTP/SFTP, Notification: e-mail, Recording: SD/SDHC/SDXC or NAS recording at event triggers, Alarm output, Handover: PTZ preset, send message by HTTP/HTTPS/TCP, Audio clip playback, MQTT: publication
Audio In		Selectable(mic in/line in)
Audio Out		Line out

## Analytics

Classified Object Type		Person, Face, Vehicle, License plate
Attributes	Person	Upper/Lower clothes color, Gender, Bag
	Vehicle	Type(car, bus, truck, motorcycle, bicycle), Color
	Face	Age, Gender, Face mask, Glasses
Thumbnail		BestShot
Analytics Events	Based on AI Engine	Object detection, Virtual line(Crossing/Direction), Virtual area(Loitering/Intrusion/Enter/Exit), Motion detection
	Normal	Defocus detection, Tampering, Audio detection, Virtual area(Appear/Disappear)
Business Intelligence	Based on AI Engine	People counting, Queue management, Heatmap, Vehicle counting

## Network

Ethernet		Metal shielded RJ-45(10/100/1000BASE-T), SFP
Video Compression		H.265/H.264: Main/High, MJPEG
Audio Compression		G.711 u-law /G.726 selectable, G.726(ADPCM) 8kHz, G.711 8kHz, G.726: 16kbps, 24kbps, 32kbps, 40kbps, AAC-LC: 48kbps at 16kHz
Smart Codec		Manual, WiseStream(Based on AI engine)
Bitrate Control		H.265/H.264: CBR or VBR, MJPEG: VBR
Streaming	Unicast	Up to 20 users
	Multicast	Support
	Multiple Streaming	Up to 10 profiles

## Network

Protocol		IPv4, IPv6, TCP/IP, UDP/IP, RTP(UDP), RTP(TCP), RTCP, RTSP, NTP, HTTP, HTTPS, SSL/TLS, DHCP, FTP, SFTP, SMTP, ICMP, IGMP, SNMPv1/v2c/v3(MIB-2), ARP, DNS, DDNS, QoS, UPnP, Bonjour, LLDP, CDP, SRTP(TCP, UDP Unicast), MQTT
Application Programming Interface	ONVIF	S, G, T, M
	Others	SUNAPI(HTTP API), Hanwha Vision Open Platform
Direct Cloud Connection		Support

## Security

OS / Firmware Protect	Encrypted firmware, Secure boot, Signed firmware
User authentication	Digest authentication, Prevent brute-force attack
Network authentication	IEEE 802.1X(EAP-TLS, EAP-LEAP, EAP-PEAP, MSCHAPv2)
Secure Communication	HTTPS, WSS(WebSocket Secure), SRTP
Access Control	IP-based access control, MAC-based access control
Data Protect	Encryption credentials, Encrypt compress for live recording file export
Audit	Access / System / Event Log management
Device ID	Device certificate(Hanwha Vision Root CA)
Secure Storage	TPM(Trusted platform module), SDcard partition encrypt(AES-256)
Security Certificate	Secure element with FIPS 140-3 level3

## General

Memory	RAM	8GB
	Flash	16GB eMMC
Edge Storage	Micro SD/SDHC/SDXC	Max. 512GB x 2slot(Total 1TB)

## Environmental & Electrical

Operating Condition	Temperature	-40°C~+55°C(-40°F~+131°F)
	Humidity	0~100% RH(condensing)
Storage Condition	Temperature	-50°C~+60°C(-58°F~+140°F)
	Humidity	0~95% RH(non-condensing)
Input Voltage		PoE++(IEEE802.3bt type3, Class6), 12VDC
Power Consumption	PoE	Max 44.3W, Typical 24.9W
	12VDC	Max 35.4W, Typical 19.6W

## Mechanical

Color	White
Material	Aluminum, PC(Polycarbonate)
RAL Code	RAL9003
Product Dimensions	193.5x193.5x532mm(7.62"x7.62"x20.94")
Product Weight	8100g(17.86lb)

## Certifications & Standards

EMC	FCC 47 CFR 15 Subpart B Class A, ICES-3(A)/NMB-3(A), CE/UKCA - EN55032 Class A, EN 50130-4, EN 61000-3-2, EN 61000-3-3, RCM AS-NZS CISPR 32 Class A, KS C 9832 Class A, KS C 9835
Safety	UL 62368-1, CAN/CSA C22.2 NO. 62368-1, IEC 62471
Environment	IEC/EN 63000, IEC 60529 IP66, IEC 60529 IP67, IEC 62262 IK10, NEMA 250 type 4X

## DORI (EN62676-4 standard)

Detect (25PPM/ 8PPF)	Wide	587.1m(1,926.3ft)
	Tele	2,646.4m(8,682.3ft)
Observe (63PPM/ 19PPF)	Wide	234.9m(770.5ft)
	Tele	1,058.6m(3,472.9ft)
Recognize (125PPM/ 38PPF)	Wide	117.4m(385.3ft)
	Tele	529.3m(1,736.5ft)
Identify (250PPM/ 76PPF)	Wide	58.7m(192.6ft)
	Tele	264.6m(868.2ft)

# TNO-A26081

Ultra-resolution 26MP T AI camera

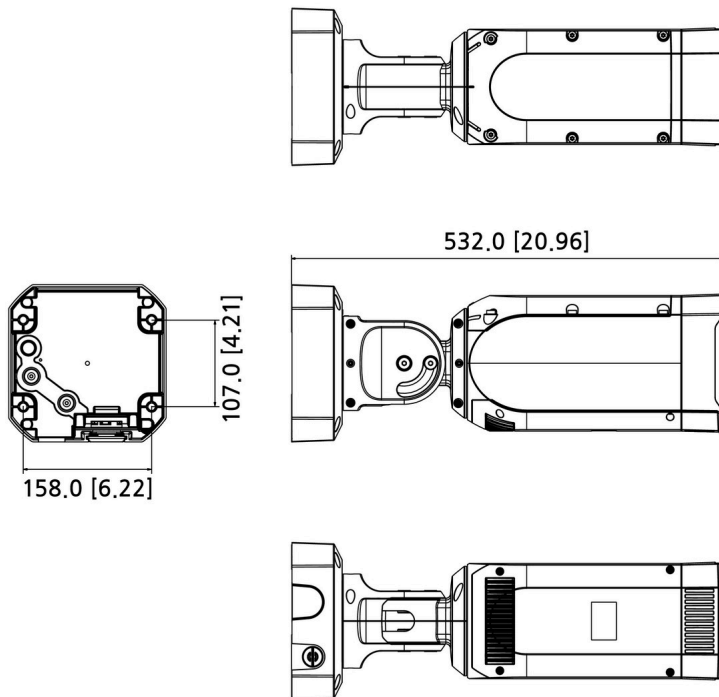
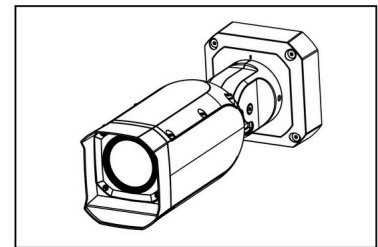


CAD

Unit: mm [inch]

## TNO-A26081 Ultra-resolution 26MP T AI Camera

Reference image



Revision	V1.2
Revision Date	25/06/16
Paper Size	A1
Unit	mm [inch]
Scale	1 : 2

© Hanwha Vision Co., Ltd. All right reserved.