



Network

Thermal

TNO-3030T

QVGA Thermal Camera



Key Features

- Max. 320 x 240 resolution support
- Built-in 13.7mm fixed lens
- H.265, H.264, MJPEG codec
- Max. 30fps@all resolutions (H.265, H.264, MJPEG)
- Motion detection, Handover, Tampering, Loitering
- Directional detection, Motion detection, Appear/Disappear, Enter/Exit, Loitering, Tampering, Virtual line, Audio detection, Sound classification Temperature detection, Shock detection
- Micro SD / SDHC / SDXC memory slot (Max. 256GB)
- Hallway View, WiseStreamII support
- PoE, 24VAC, 12VDC / IP66, NEMA4X, IK10

Compatible Devices



SBP-303PM

TNO-3030T

QVGA Thermal Camera



Specifications

Video

Imaging Device	Type	Uncooled micro bolometer (320x240)
Resolution		320x240
Max. Framerate	H.265/H.264	30fps/25fps(60Hz/50Hz)
	MJPEG	30fps
Spectral Range		8~14 μ m
NETD		\leq 60mK
Pixel Size		12 μ m
Video Out		CVBS: 1.0Vp-p / 75 Ω composite for installation, USB: Micro USB Type B

Lens

Focal Length (mm)		13.7
Max Aperture Ratio (F number)	Wide	1.0
Angular Field of View	Horizontal	16°
	Vertical	12°
	Diagonal	20°
iFoV		0.87mRad
Min. Object Distance		8m(26.25ft)
Focus Control		Fixed

Operational

Digital Image Stabilization		Support(built-in gyro sensor)
Motion Detection	Quantity	8ea
	Shape	8point Polygonal zones
Privacy Masking	Quantity	32ea
	Shape	Polygonal zones
	Color / Option	Gray, Green, Red, Blue, Black, White, Mosaic
Video Rotation		Flip, Mirror, Hallway view(90°/270°)
Alarm Interface	In/Out	Input 1ea, Output 2ea
Alarm Triggers		Analytics, Network disconnect, Alarm input

Operational

Alarm Events When Alarm Trigger Occurred	File upload(image): e-mail/FTP, Notification: e-mail, Recording: SD/SDHC/SDXC or NAS recording at event triggers, Alarm output, Handover: PTZ preset
Audio In	Selectable(mic in/line in)
Audio Out	Line out
Color Palettes	Whitehot, Blackhot, Rainbow, Rainbow2, Sepia, Red, Iron, Custom

Analytics

Analytics Events	Normal	Motion detection, Tampering, Sound classification, Shock detection, Virtual area(Lotering, Intrusion, Enter/Exit, Appear/Disappear), Virtual line(Crossing, Direction), Temperature detection
------------------	--------	---

Network

Ethernet	RJ-45(10/100BASE-T)	
Video Compression	H.265/H.264: Main/Baseline/High, MJPEG	
Audio Compression	G.711 u-law /G.726 selectable, G.726(ADPCM) 8kHz, G.711 8kHz, G.726: 16kbps, 24kbps, 32kbps, 40kbps, AAC-LC: 48kbps at 16kHz	
Smart Codec	Manual, WiseStream II	
Bitrate Control	H.265/H.264: CBR or VBR, MJPEG: VBR	
Streaming	Unicast	Up to 20 users
	Multicast	Support
	Multiple Streaming	Up to 10 profiles
Protocol	IPv4, IPv6, TCP/IP, UDP/IP, RTP(UDP), RTP(TCP), RTCP, RTSP, NTP, HTTP, HTTPS, SSL/TLS, DHCP, FTP, SMTP, ICMP, IGMP, SNMPv1/v2c/v3(MIB-2), ARP, DNS, DDNS, QoS, UPnP, Bonjour, LLDP, SRTP(TCP, UDP Unicast)	
Application Programming Interface	ONVIF	S, G, T
	Others	SUNAPI(HTTP API), Hanwha Vision Open Platform

Security

OS / Firmware Protect	Encrypted firmware
User authentication	Digest authentication
Network authentication	IEEE 802.1X(EAP-TLS, EAP-LEAP)
Secure Communication	HTTPS, WSS(WebSocket Secure), SRTP
Access Control	IP-based access control
Data Protect	Encryption credentials
Audit	Access / System / Event Log management
Device ID	Device certificate(Hanwha Vision Root CA)

General

Memory	RAM	1GB
	Flash	256MB
Edge Storage	Micro SD/SDHC/SDXC	Max. 256GB x 1slot

Environmental & Electrical

Operating Condition	Temperature	-40°C~+60°C(-40°F~+140°F)
	Humidity	0~90% RH(non-condensing)
Storage Condition	Temperature	-50°C~+60°C(-58°F~+140°F)
	Humidity	0~90% RH(non-condensing)
Input Voltage		PoE(IEEE802.3af, Class3), 24VAC, 12VDC
Power Consumption	PoE	Max. 8.7W, typical 7.5W
	12VDC	Max. 7.8W, typical 6.7W
	24VAC	Max. 9.2W, typical 8.0W

Mechanical

Color	White
Material	Aluminum
RAL Code	RAL9003
Product Dimensions	ø147.51x375.3mm(5.81x14.78")
Product Weight	2512g(5.538lb)

Certifications & Standards

Environment	IEC 60529 IP66, IEC 62262 IK10, NEMA 250 type 4X
-------------	--

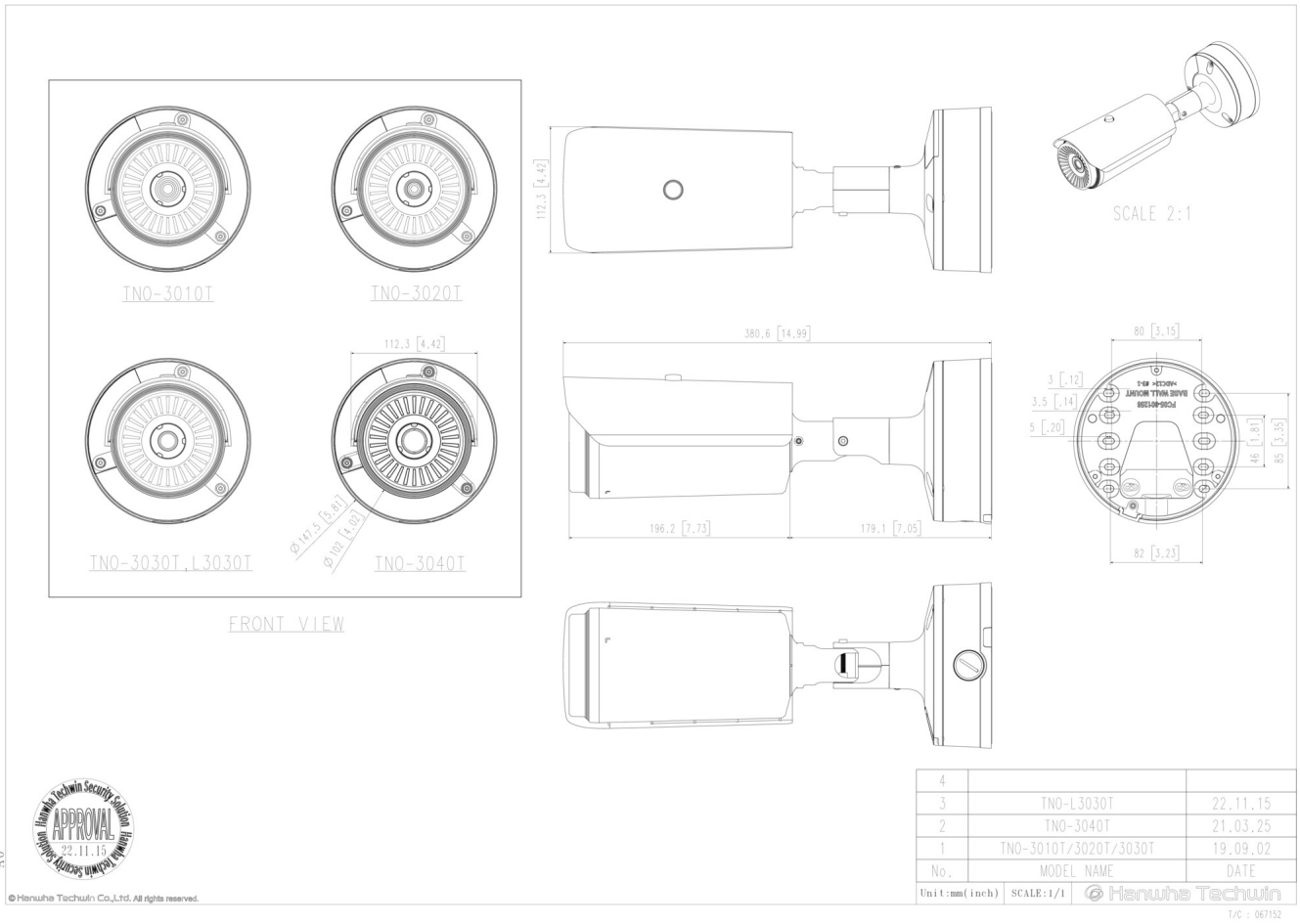
TNO-3030T

QVGA Thermal Camera



CAD

Unit: mm [inch]



A0

© Hanwha Techwin Co., Ltd. All rights reserved.