



SBP-160WMW1

Wall&Pole Mount



Key Features

- Material: Body : Aluminum, Cover : Polycarbonate(PC)
- Dimensions: 169.7(W)x118.3(H)x214.8(D)mm(6.68x4.66x8.46"), 696g(1.53lb)
- Weight: 696g(1.53lb)
- Color: White
- Conduit hole: 19.1mm(3/4")(M25)
- ※ Gangbox hole : support single, double, 4" octagon, 4" square

Compatible Devices



XND-6083RV



XND-C6083RV



XNV-C9083R



XNV-C7083R



XND-C9083RV



XND-C8083RV



XND-9083RV



XNV-C8083R



XND-C7083RV



XNV-C6083R



XND-8083RV

SBP-160WMW1

Wall&Pole Mount



Specifications

Mechanical	
Color	White
Material	Aluminum, PC(Polycarbonate)
RAL code	RAL9003
Product dimensions / weight	169.7x118.3x214.8mm / 696g
Mount Screw size	TR20
Max. load	5kg
Conduit hole	19.1mm(3/4")(M25)
Supported products	XND-C6083RV, XND-C7083RV, XND-C8083RV, XND-C9083RV ※ For further compatible models, please visit our website or use Toolbox

SBP-160WMW1

Wall&Pole Mount

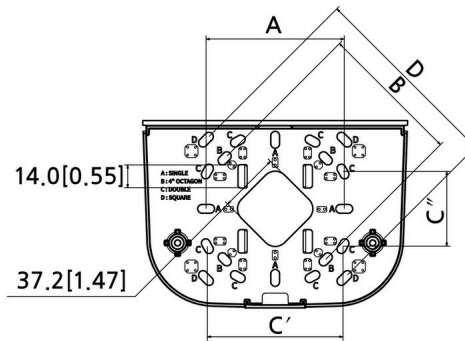
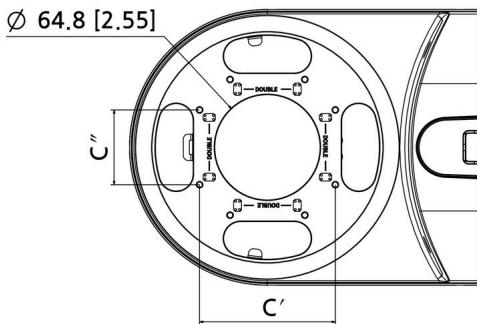
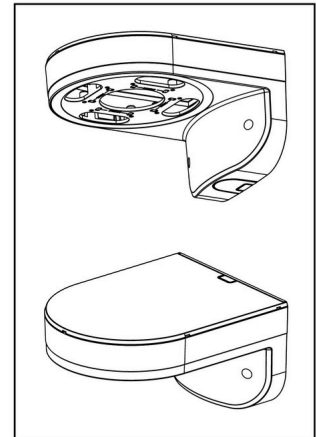
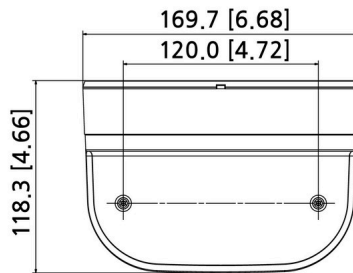
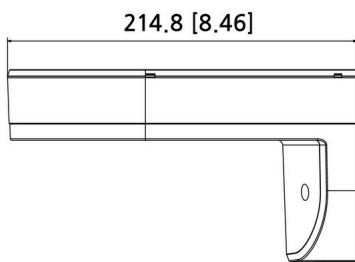


CAD

Unit: mm [inch]

SBP-160WMW1 Wall & Pole Mount

Reference image



STANDARD GANG		
A	SINGLE	83.5 [3.29]
B	4" OCTAGON	88.0 [3.46]
C' C''	DOUBLE	83.5 [3.29] X 46.0 [1.81]
D	SQUARE	120.2 [4.73]

Revision	V1.1
Revision Date	24/08/07
Paper Size	A1
Unit	mm [inch]
Scale	1:1

© Hanwha Vision Co., Ltd. All right reserved.