

# SBP-160TMW1

Tilt Mount



## Key Features

- Material: Aluminum
- Dimensions : Ø160.0 x 57.6mm (6.30" x 2.27")
- Weight : 325g (0.72 lb)
- Color : White
- Supported products : XNF-9010RV
- For further compatible models, please check out Wisenet Toolbox Plus

SBP-160TMW1

# SBP-160TMW1

Tilt Mount



## Specifications

Mechanical	
Color	White
Material	Aluminum
RAL code	RAL9003
Product dimensions / weight	ø160x57.6mm(6.30x2.27") / 325g(0.72lb)
Supported products	XNF-9010RV, XNF-9013RV ※ For further compatible models, please visit our website or use Toolbox

SBP-160TMW1

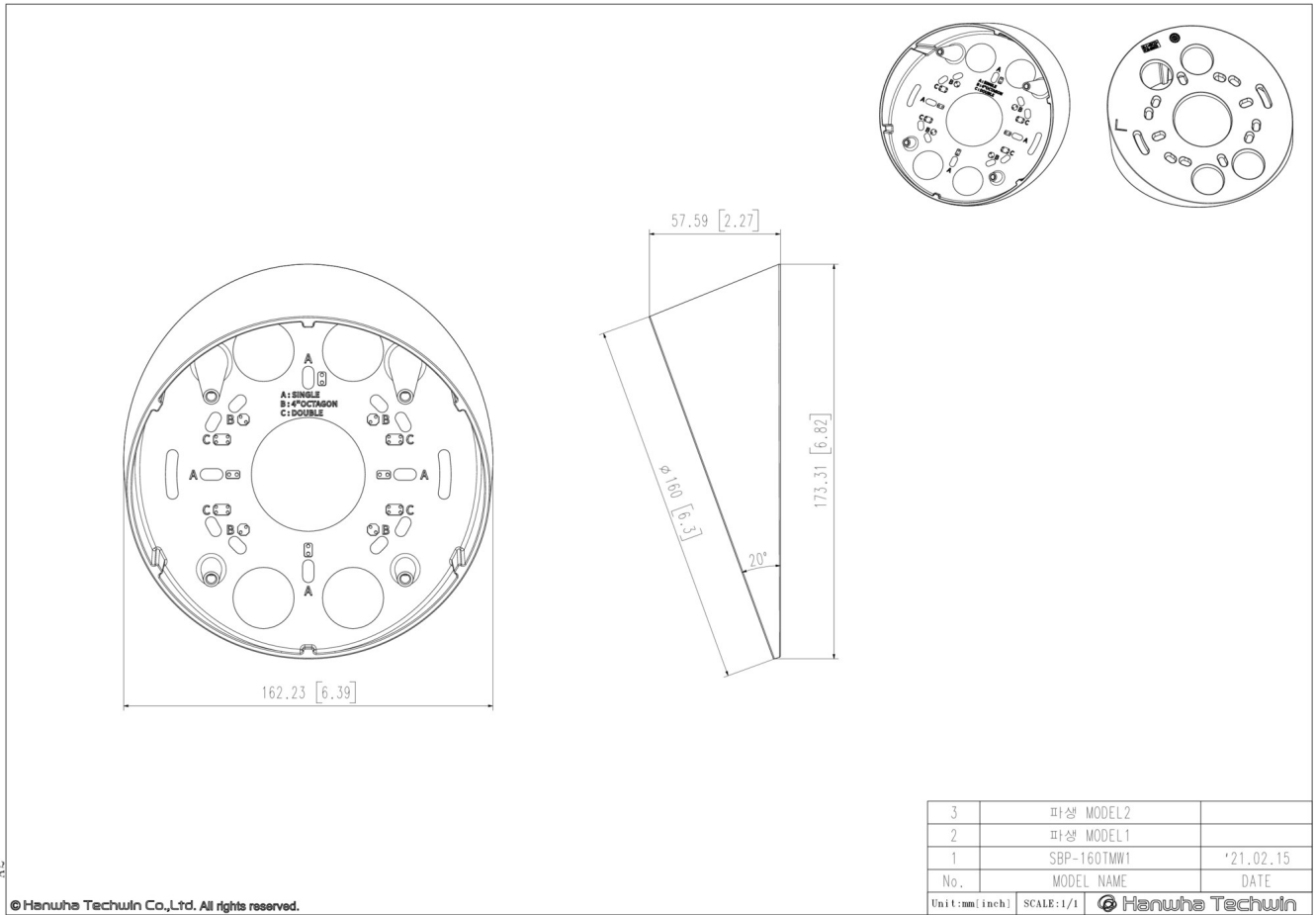
# SBP-160TMW1

Tilt Mount



CAD

Unit: mm [inch]



A2

© Hanwha Techwin Co.,Ltd. All rights reserved.